



ROMAI Robert Maier GmbH

Specialist in Tool Building for Customer Applications



Angular Heads | Multispindle Heads | Live Tools | High-Speed Spindles



What's ROMAI

About Us

Our Customers

Product Overview

Machine

Connections

Industry 4.0

What We Can Do
For You

ROMAI is an experienced supporter for customized applications.

We develop, design and produce tools for CNC-lathes, machining centers, large-scale production lines and special machines.

The well-known **ROMAI** precision is approved and acknowledged, based on a in-house manufacturing level of over 80%.



History

About us

Our customers

Product overview

Machine connections

What we can do for you

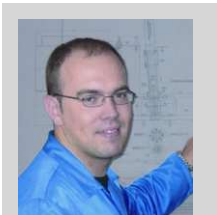
- 1957 Company founded by Robert Maier
- 1961 Today's Director Roland Maier joined the company
- 1981 Death of the company's founder Robert Maier
- 1987 relocation to industrial area into larger facilities
- 1995 first extension of manufacturing facilities 3.000sqm
- 2000 second extension to 6.000 sqm
- 2004 Mathias Maier joined the company
- 2007 50-year anniversary ROMAI
- 2010 NXT-Generation, bevel gear boxes with up to 100% more available torque on same space
- 2012 ROMAI takes over Bormaster / Sigloch & Schrieder
- 2014 KÜMA located in Ketsch gets part of ROMAI-family
- 2017 60-year anniversary ROMAI
- 2023 Compact Line – New compact Angle Head Line



Robert Maier



Roland Maier



Mathias Maier



www.romai.de



Basic Data

About us

Our customers

Product overview

Machine

connections

What we can do
for you

Staff

48 in manufacturing (90% skilled workers)

8 employees in sales and administration

4 in design

12 apprentices

72 total

Turnover 2022 was 8 million Euro

approx. 54 % direct export, direct + indirect approx. 80%



www.romai.de



Production Capacity

About us

Our customers

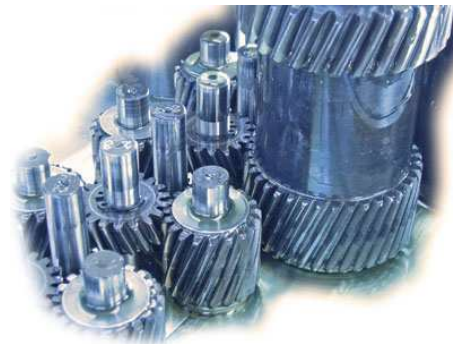
Product overview

Machine
connections

What we can do
for you

Production Capacity:

- CNC Turning: up to $\text{Ø}900 \times 1,500$ mm
- CNC Milling / Jig boring: up to $2,000 \times 1,800 \times 1,200$ mm; max. 3,000 kg
- CNC External Cylindrical Grinding: up to $\text{Ø}550 \times 1,600$ mm; max. 360 kg
- CNC Internal Cylindrical Grinding: up to $\text{Ø}350 \times 1,300$ mm
- CNC Flat Grinding
- Measuring - 3D Coordinate Measuring Machines: up to $\text{Ø}3,000 \times 1,200 \times 1,000$ mm
- Eroding (EDM)
- NEW: Gear Cutting Machine for producing spur gears up to $\text{Ø}150$, up to module 4



www.romai.de



Focus

About Us

Our Customers

Product Overview

Machine

Connections

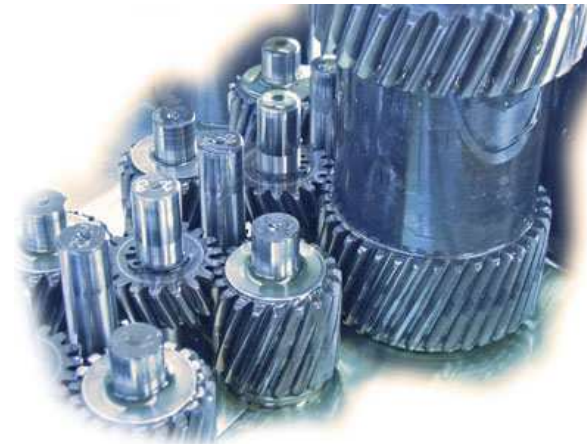
Industry 4.0

What We Can Do
For You

Our focus is on your demands

We produce tools on the highest level of accuracy and low run out.

Combined with best possible design solutions the customer gets the best performance and reliability for his process.



28.08.2024

Specialist in tool building for customer applications



www.romai.de

Our Customers

About Us

Our Customers

Product Overview

Machine

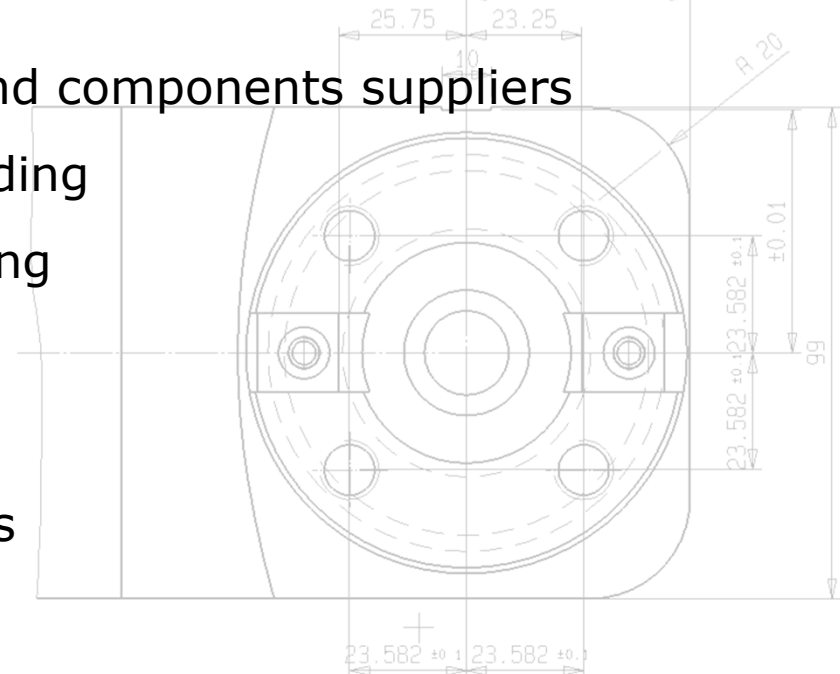
Connections

Industry 4.0

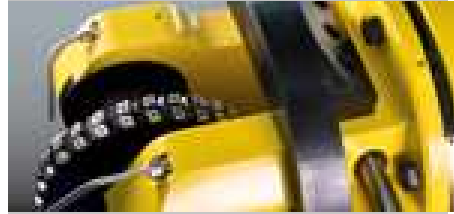
What We Can Do
For You

Our customers are leading players in different industries:

- Machine tool building
- Automobil industry and components suppliers
- General machine building
- Precision pump building
- Aerospace industry
- Wind energy industry
- Cutting tool producers
- Medical engineering
- Household appliance
- Window and profile machining
- Facades building



www.romai.de



Product Range

About us

Our customers

Product overview

Machine

connections

What we can do
for you

- **Angle Heads**
- **Multispindle Heads (changeable)**
- **Multispindle Heads (stationary)**
- **Live Tools for Lathes**
- **High-Speed Spindles**



www.romai.de

Product Range

About us

Our customers

Product overview

Machine
connections

What we can do
for you

- From very small to huge - ~2 kg up to 10,000 kg

~2.5 kg



~3,000 kg



www.romai.de

Standard angle head – NXT-Line

About Us

Our Customers

Product Overview

Machine

Connections

Industry 4.0

What We Can Do
For You



Standard angle head – NXT-Line

About Us

Our Customers

Product Overview

Machine

Connections

Industry 4.0

What We Can Do
For You



The standard model kit consists of 6 basic designs and 6 torque classes – from 15Nm to 500Nm

Until now angle head with for example a length of 2 meter or 8.000Nm torque have been realised



www.romai.de

Standard angle head – Compact-Line

About Us

Our Customers

Product Overview

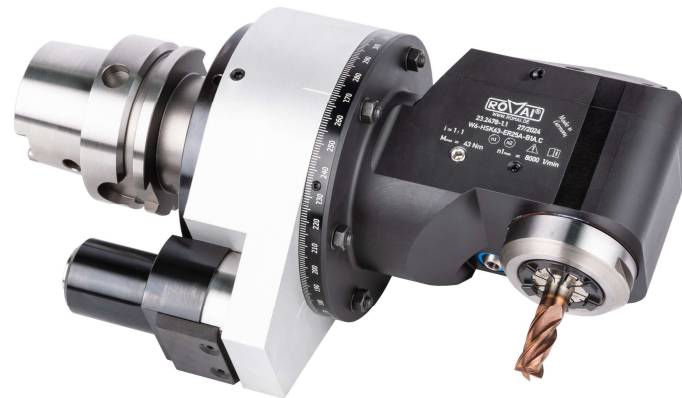
Machine

Connections

Industry 4.0

What We Can Do

For You



www.romai.de

Multispindle heads for VTC

About Us

Our Customers

Product Overview

Machine

Connections

Industry 4.0

What We Can Do
For You



2 Stationary multispindle heads with carrier and gearbox + stationary turning tool

2 times 6 spindles for 15 types of brake discs operation
turning, drilling and chamfering



www.romai.de



C-Axis + multispindle head

About Us

Our Customers

Product Overview

Machine

Connections

Industry 4.0

What We Can Do
For You



www.romai.de

Multispindle heads for vertical turning machines (turret)

About Us

Our Customers

Product Overview

Machine

Connections

Industry 4.0

What We Can Do
For You



Multispindle heads for tool turrets 3, 4 – up to 8-spindled,
with internal cooling supply through the spindles, 8.000
1/min



www.romai.de



Milling and gear units

About Us

Our Customers

Product Overview

Machine

Connections

Industry 4.0

What We Can Do
For You



Milling and gear units

The units shown here are used within vertical turning machines.



www.romai.de



Milling unit

About Us

Our Customers

Product Overview

Machine

Connections

Industry 4.0

What We Can Do

For You



www.romai.de



2-axis milling unit

About Us

Our Customers

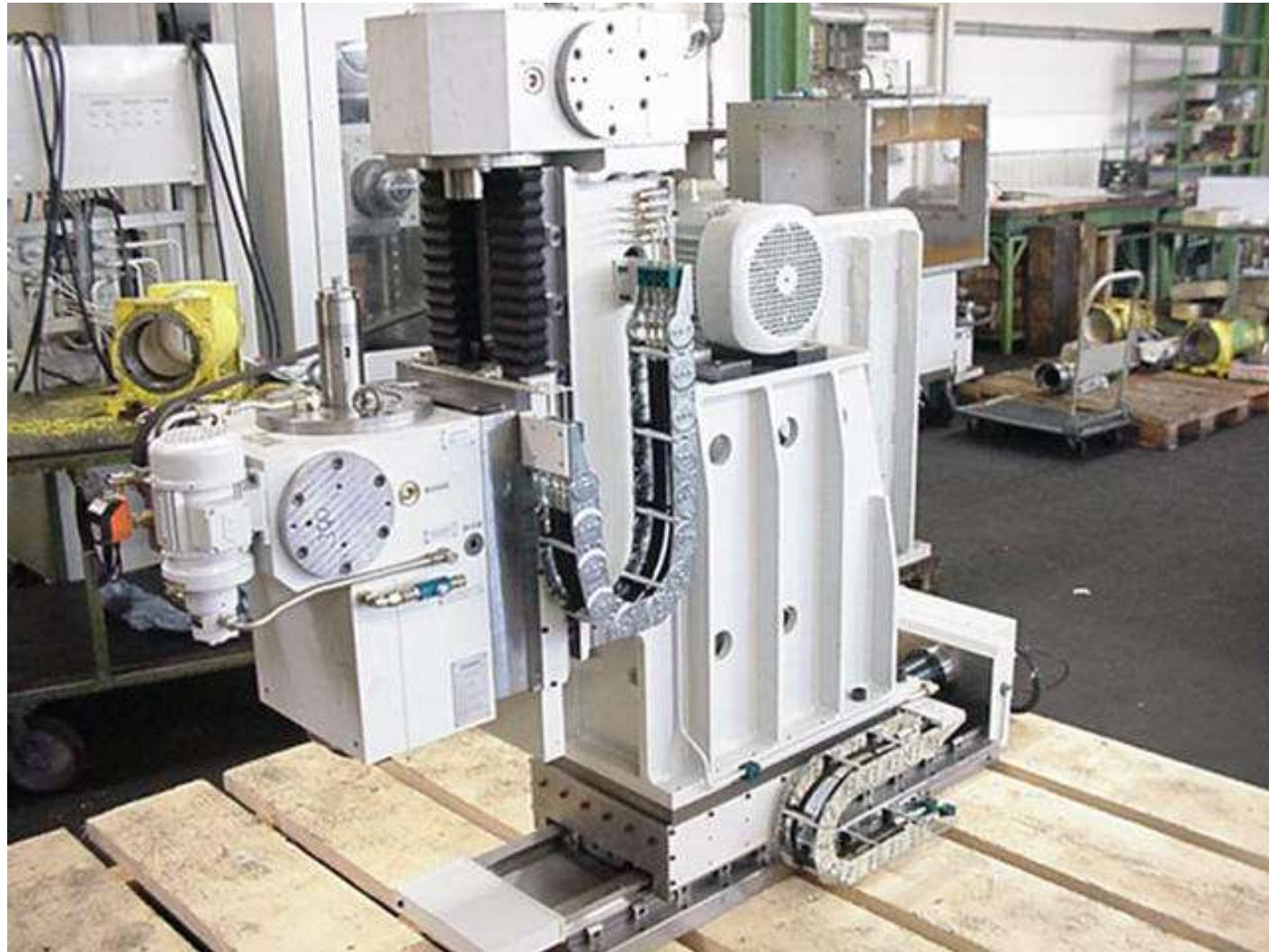
Product Overview

Machine

Connections

Industry 4.0

What We Can Do
For You



www.romai.de

Sliding units with barrels

About Us

Our Customers

Product Overview

Machine

Connections

Industry 4.0

What We Can Do
For You



www.romai.de

Automatically clamping

About Us

Our Customers

Product Overview

Machine

Connections

Industry 4.0

What We Can Do
For You



Automatically changeable or mounted angle heads with automatic clamping systems (hydraulic or pneumatic), internal coolant supply, positive pressure, inflation air and 360° screwing unit (manual or automatic).



www.romai.de

Machining of pump housings

About Us

Our Customers

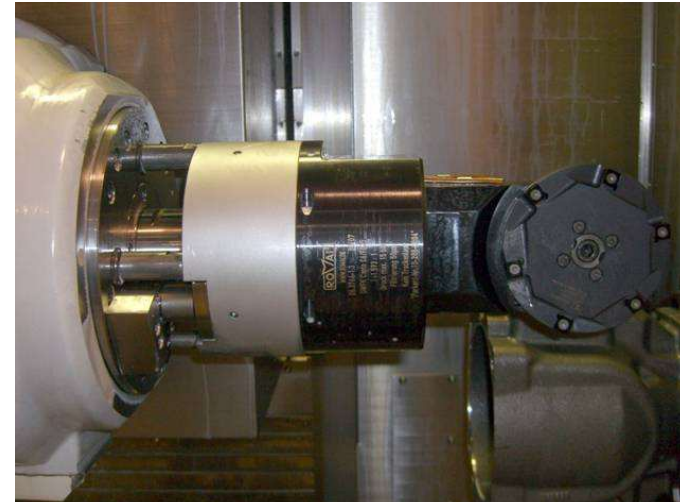
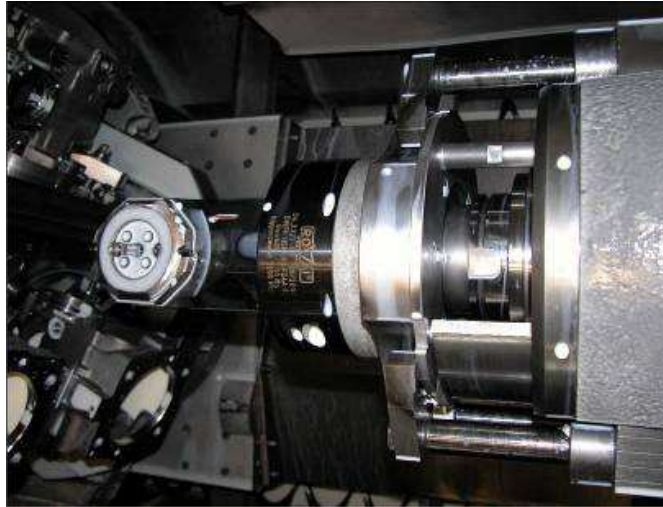
Product Overview

Machine

Connections

Industry 4.0

What We Can Do
For You



Special designs for roughing and finishing of bearing seats in pump housings



www.romai.de



Adjustment mechanism

About Us

Our Customers

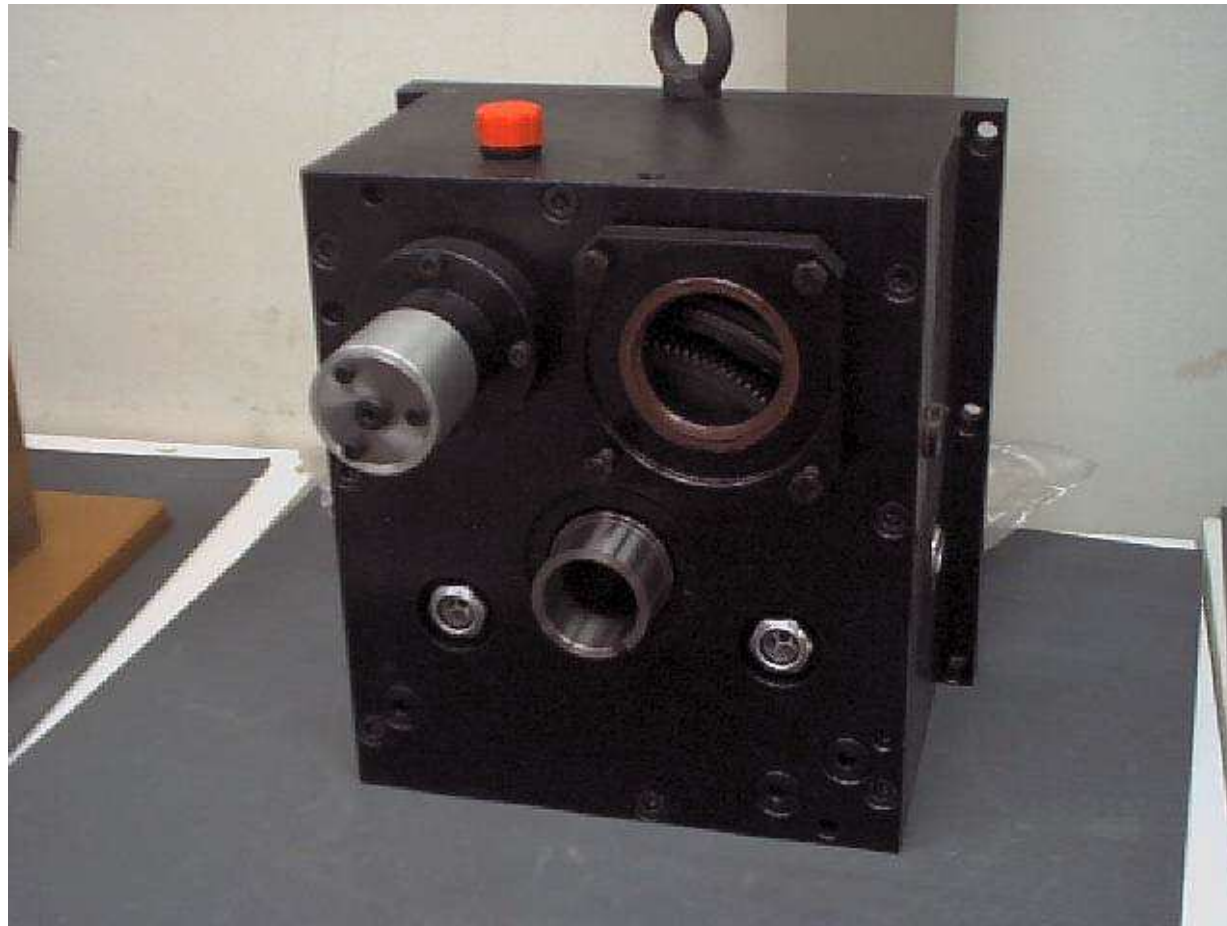
Product Overview

Machine

Connections

Industry 4.0

What We Can Do
For You



Special adjustment mechanisms for facing heads. High precisely machining within 5 μm with cpk 1.66



www.romai.de

Swirling heads

About Us

Our Customers

Product Overview

Machine

Connections

Industry 4.0

What We Can Do
For You



Special swirling heads for the machining of sphere carriers.

In this case used for turning machines.



www.romai.de

Driven tools

About Us

Our Customers

Product Overview

Machine

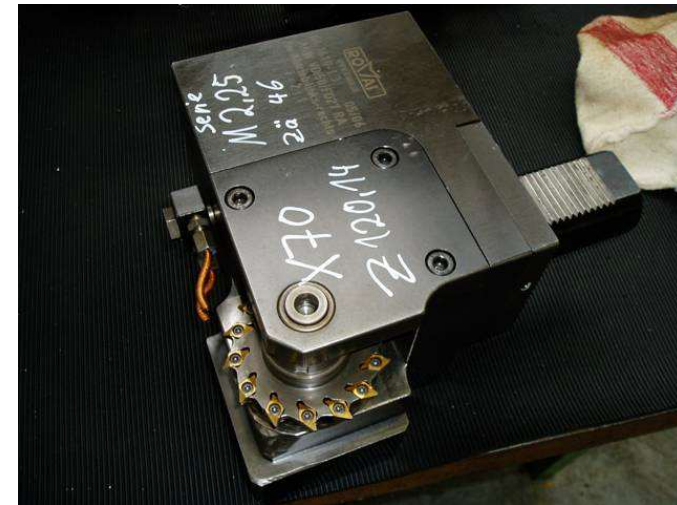
Connections

Industry 4.0

What We Can Do
For You



Polishing with axial contact pressure



Gearmilling in single tooth procedure
Component: axes



Combination of axial and radial tool with translation axial 1:1 and radial 1:3 faster



www.romai.de

Precision-bearing support

About Us

Our Customers

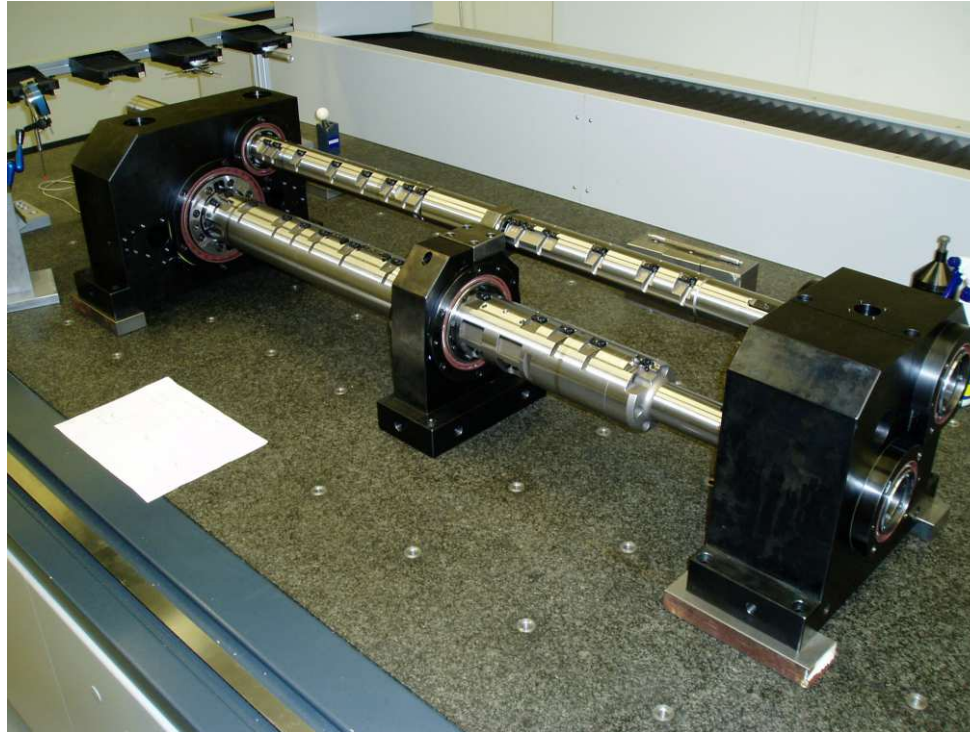
Product Overview

Machine

Connections

Industry 4.0

What We Can Do
For You



High-precision bearing housings for drill rods,
Concentricity max. 5 μm .
The drill rod in this picture has a length of 1.8m.



www.romai.de

Stationary multispindle heads

About Us

Our Customers

Product Overview

Machine

Connections

Industry 4.0

What We Can Do
For You



Stationary multispindle heads for special machines

Up to **252** spindles in one multispindle head could be realised until now.

For vertical and horizontal use

Operations: Milling, drilling, threading, rubbing,....



www.romai.de

Stationary multispindle heads

About Us

Our Customers

Product Overview

Machine

Connections

Industry 4.0

What We Can Do

For You



For transfer centres



www.romai.de

Stationary multispindle heads

About Us

Our Customers

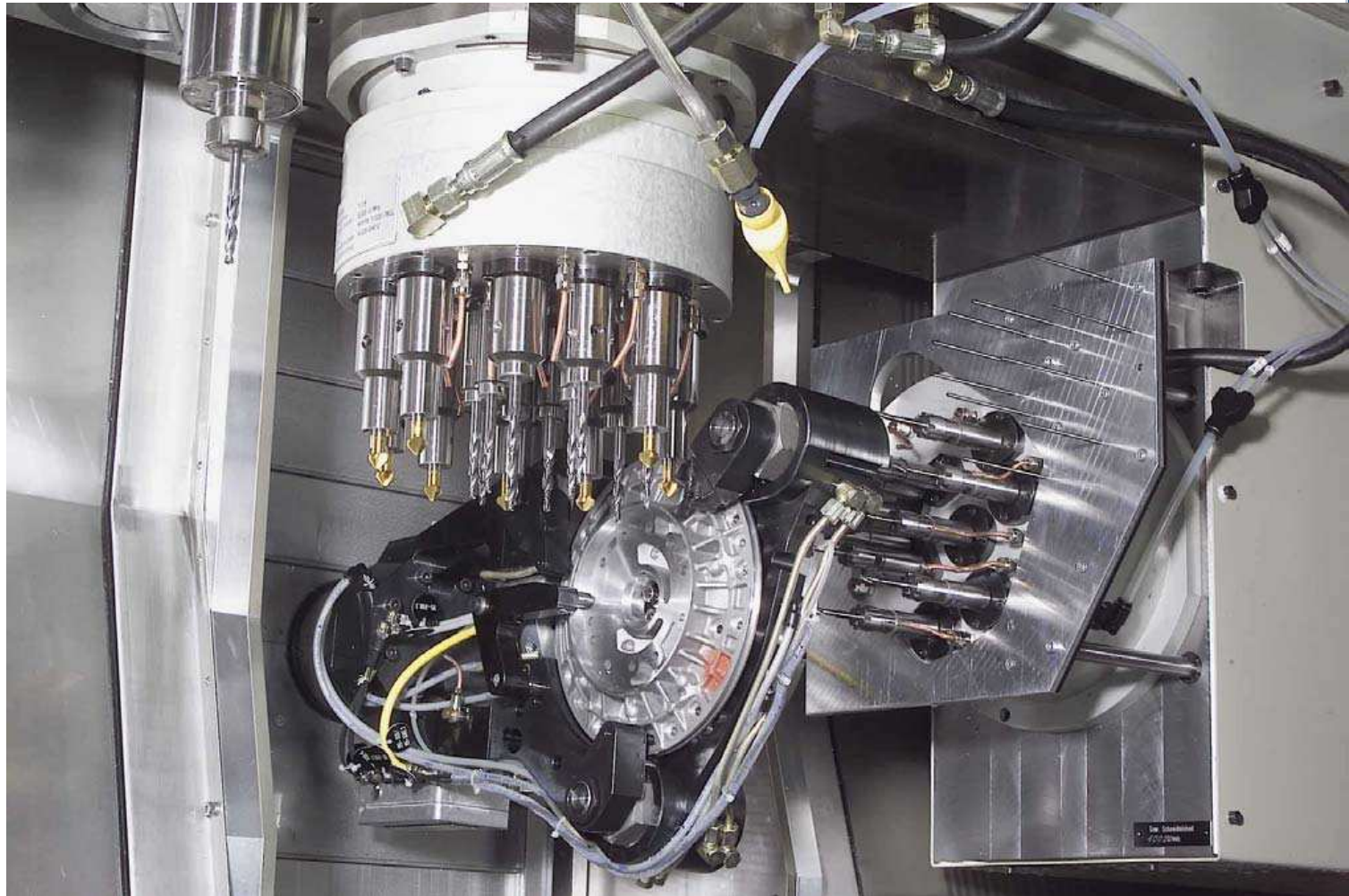
Product Overview

Machine

Connections

Industry 4.0

What We Can Do
For You



For transfer centres



www.romai.de

Stationary multispindle heads

About Us

Our Customers

Product Overview

Machine

Connections

Industry 4.0

What We Can Do

For You



www.romai.de

Stationary multispindle heads

About Us

Our Customers

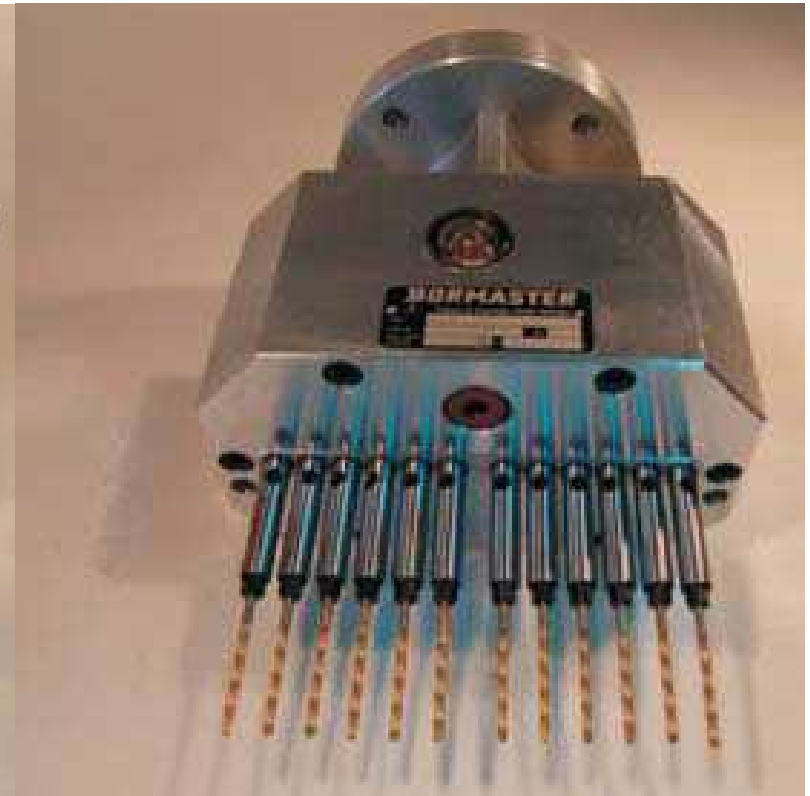
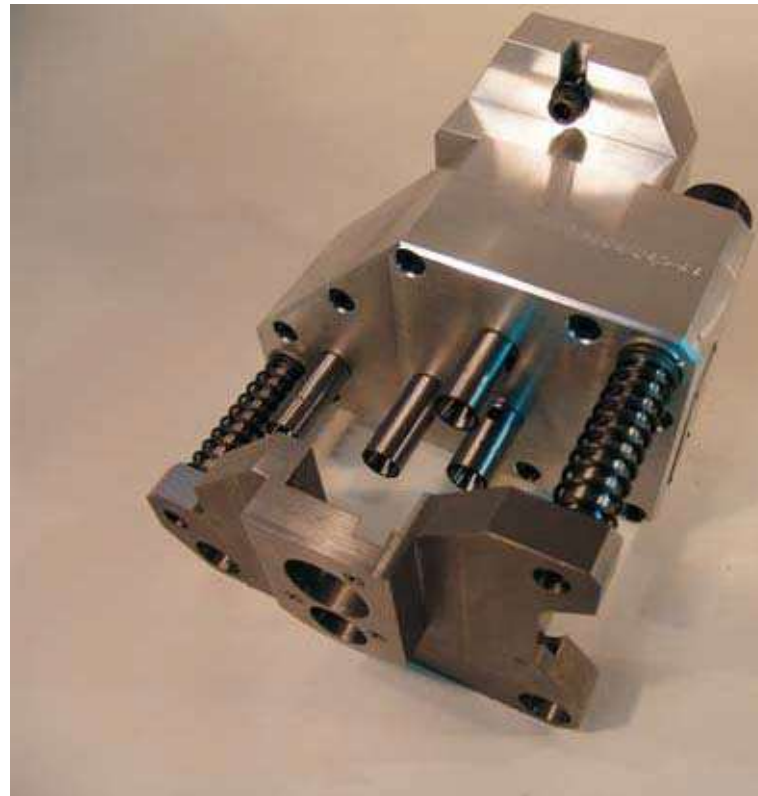
Product Overview

Machine

Connections

Industry 4.0

What We Can Do
For You



www.romai.de

Flexible drilling head system (ASP/FBS)

About Us

Our Customers

Product Overview

Machine

Connections

Industry 4.0

What We Can Do

For You



www.romai.de

Stationary multispindle heads

About Us

Our Customers

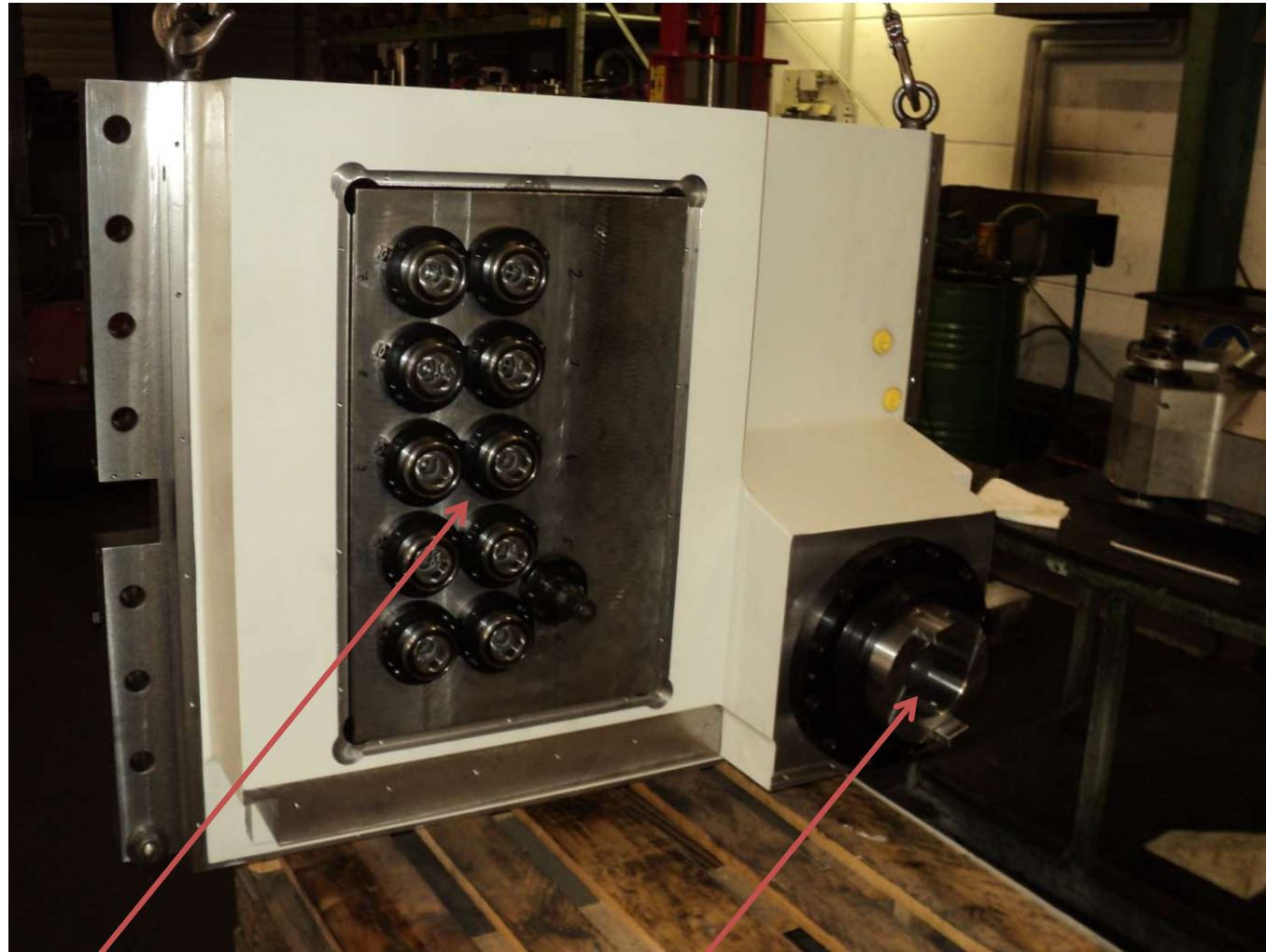
Product Overview

Machine

Connections

Industry 4.0

What We Can Do
For You



10-spindled HSK50

Milling spindle HSK D160



www.romai.de



Stationary multispindle heads

About Us

Our Customers

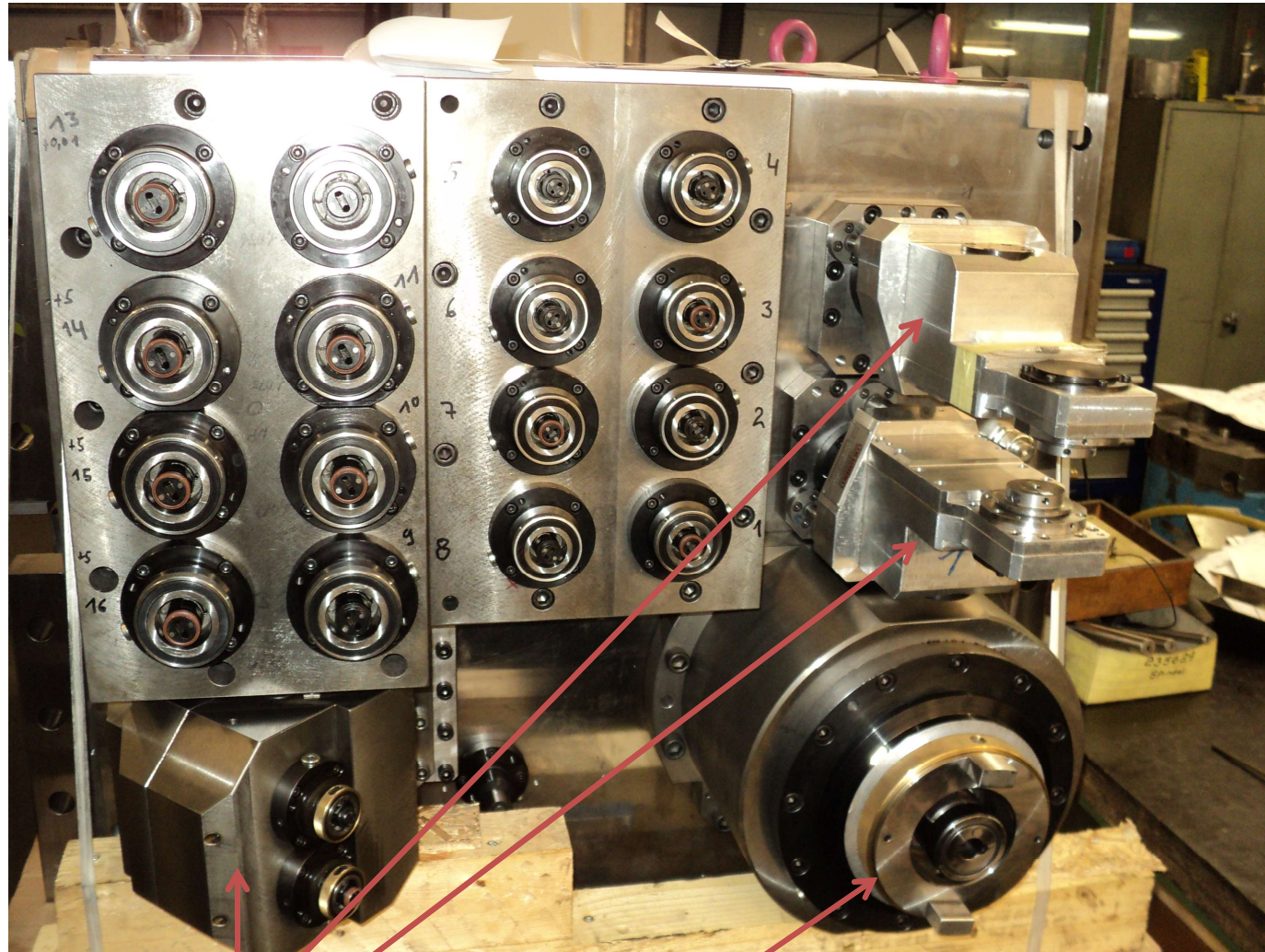
Product Overview

Machine

Connections

Industry 4.0

What We Can Do
For You



Changeable angle head

Milling spindle HSK100 (B125)



www.romai.de

Stationary multispindle heads

About Us

Our Customers

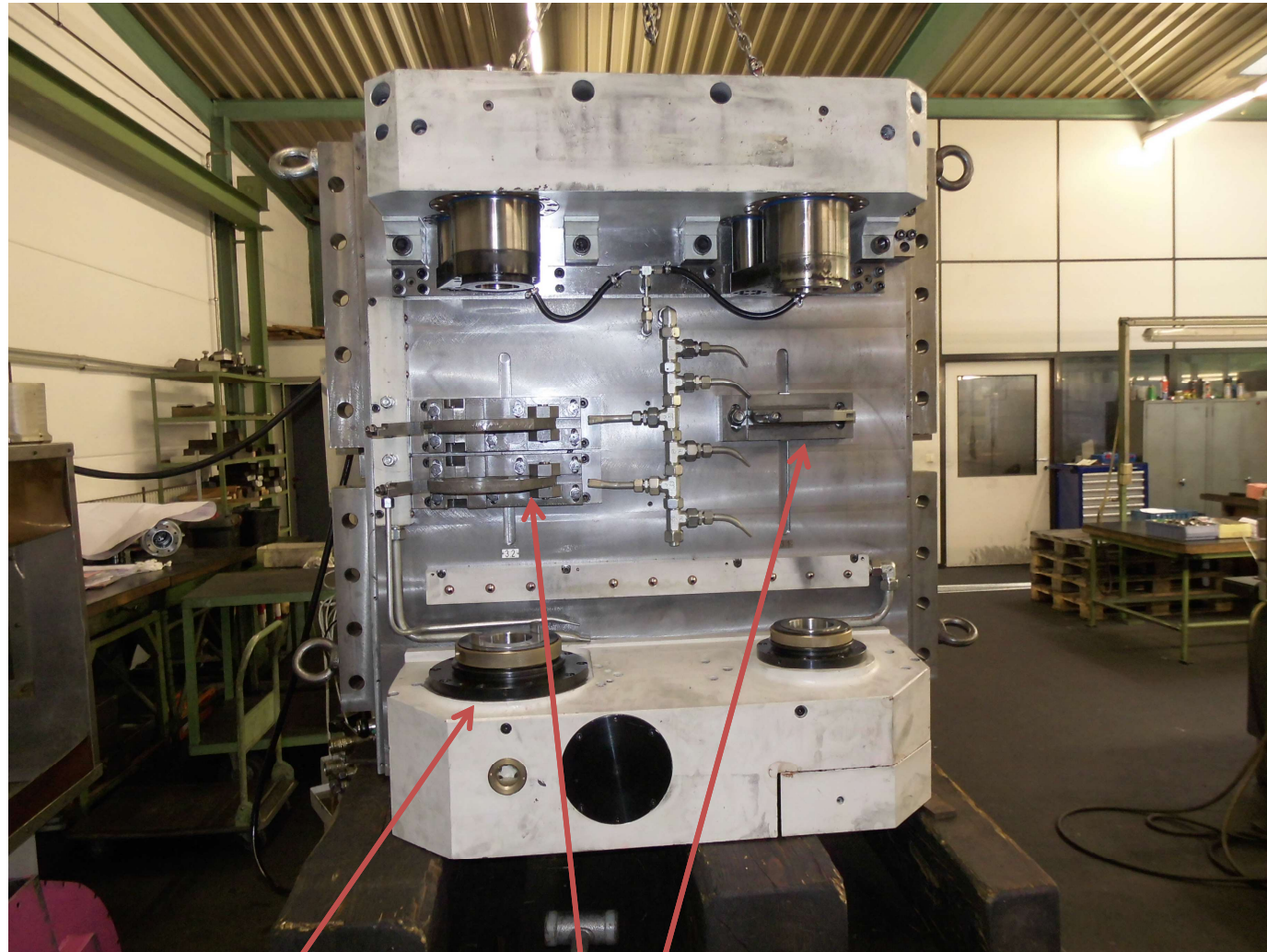
Product Overview

Machine

Connections

Industry 4.0

What We Can Do
For You



Milling spindle HSK100 (B125)
With hydraulical counter bearing

Step bearing / steady rest



www.romai.de



Automatically changeable multispindle heads

About Us

Our Customers

Product Overview

Machine

Connections

Industry 4.0

What We Can Do
For You



Automatically changeable multispindle head: 90° offset to the drive shaft of the machine, drills 5 threads up to size M24 in one step.

The components are mostly used for wind engines or electric generators. They weigh up to 150 tons and have a diameter up to 13 meters.



www.romai.de



Multispindle head 3 x 12 spindles

About Us

Our Customers

Product Overview

Machine

Connections

Industry 4.0

What We Can Do
For You



3 multispindle heads with each one having 12 spindles for the machining of M12 threads

Hole circle $\varnothing 290$ mm, 850 kg, 600 Nm, internal coolant supply, 360° turnable, Pick-Up



www.romai.de

Pick-Up stations

About Us

Our Customers

Product Overview

Machine

Connections

Industry 4.0

What We Can Do
For You



Different solutions for Pick-Up stations, if the tool is too big or too heavy for the automatic tool changer.



www.romai.de

2-axis-head for huge machines

About Us

Our Customers

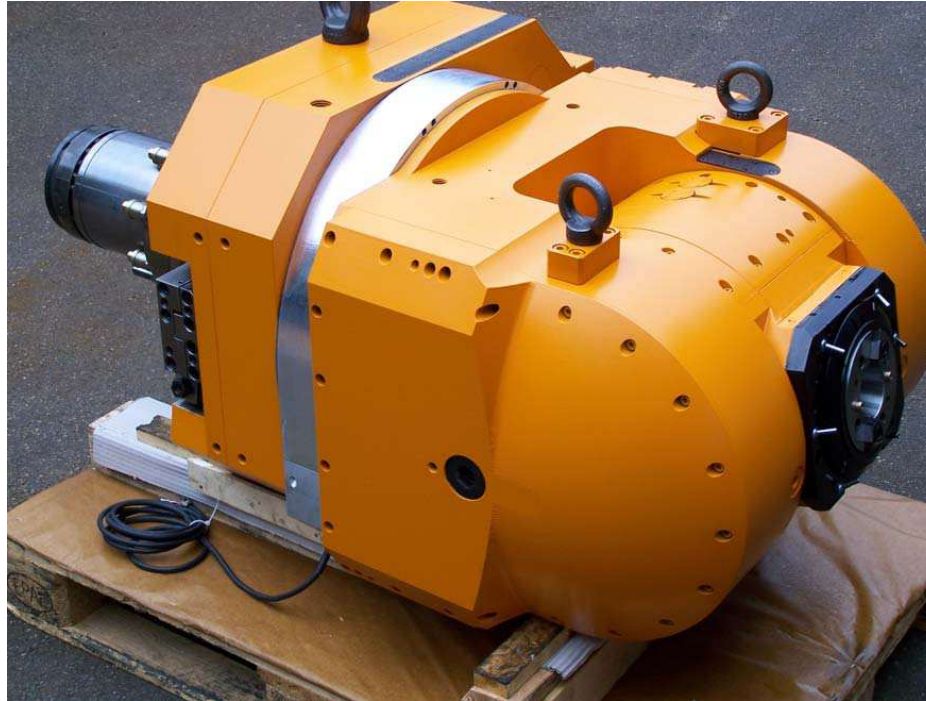
Product Overview

Machine

Connections

Industry 4.0

What We Can Do
For You



Angle head for universal machining:

- Automatic exchange angle head (SK60) through Pick-Up magazine
- Automatic Clamping (hydraulic) output HSK100 (125B)
- Integrated C-axis
- Nmax = 4.000 Nm, nmax = 2.000 1/min, Pmax. =50kW
- Internal coolant supply, blow air and external cooling
- Weight approx. 3.000 kg, length 750 mm



www.romai.de

Angle head with C-axis

About Us

Our Customers

Product Overview

Machine

Connections

Industry 4.0

What We Can Do
For You



Angle head

- Automatic exchange angle head (SK60) through Pick-Up magazine
- Automatic Clamping (hydraulic) output HSK100 (125B)
- Integrated C-axis
- Nmax = 4.000 Nm, nmax = 2.000 1/min, Pmax. = 50kW
- Internal coolant supply, blow air and external cooling
- Weight approx. 1.300 kg, length 750 mm



www.romai.de

Angle heads for huge machines

About Us

Our Customers

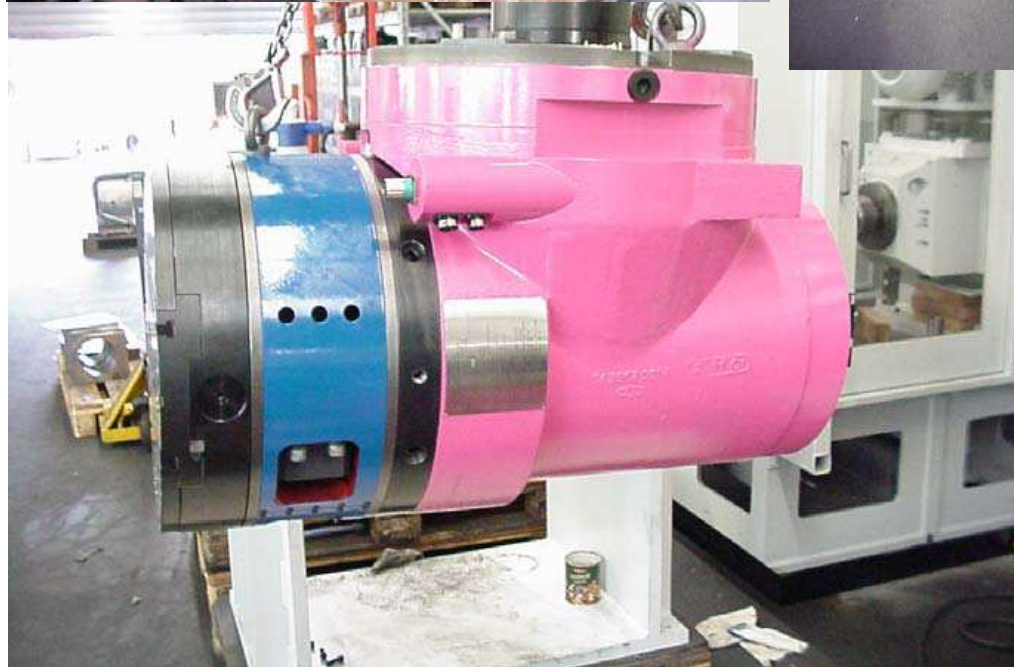
Product Overview

Machine

Connections

Industry 4.0

What We Can Do
For You



www.romai.de

Angle head for tothing

About Us

Our Customers

Product Overview

Machine

Connections

Industry 4.0

What We Can Do
For You



Machining of gear segments with module 30 in steel for wind energy. Max. 2.000 Nm, $\pm 30^\circ$ turnable, 100% ED, Pick-Up, 650 kg



www.romai.de

Angle head with C-axis and ROD

About Us

Our Customers

Product Overview

Machine

Connections

Industry 4.0

What We Can Do
For You



Machining of rotor blades made of stainless steel for water power generators

Max. 600 Nm, 360° C-axis-twistability, positioning through the main spindle, hydraulic clamping, inclusive rotary encoder, 100% ED, automatical exchange, 150 Kg



www.romai.de

Drilling / Milling inside a hole

About Us

Our Customers

Product Overview

Machine

Connections

Industry 4.0

What We Can Do
For You



Drilling and deflashing in a housing with a diameter of 55mm, depth of immersion 600 mm max. 15 Nm, 6.000 U/min



www.romai.de



Milling head for inside-machining

About Us

Our Customers

Product Overview

Machine

Connections

Industry 4.0

What We Can Do
For You



Angle head with Milling spindle and counterholder.

Machining:

Entering in the component with $\text{Ø}52$, slot cutting, width 2 mm, depth 2 mm

Raw material:
steel



www.romai.de

Angle head with counterholder

About Us

Our Customers

Product Overview

Machine

Connections

Industry 4.0

What We Can Do
For You



Milling of valve seatings

Free travel $\varnothing 59$ mm 6.000 U/min Raw

material: aluminium casting Max. 30 Nm



www.romai.de

Angle head with 75° fix angle

About Us

Our Customers

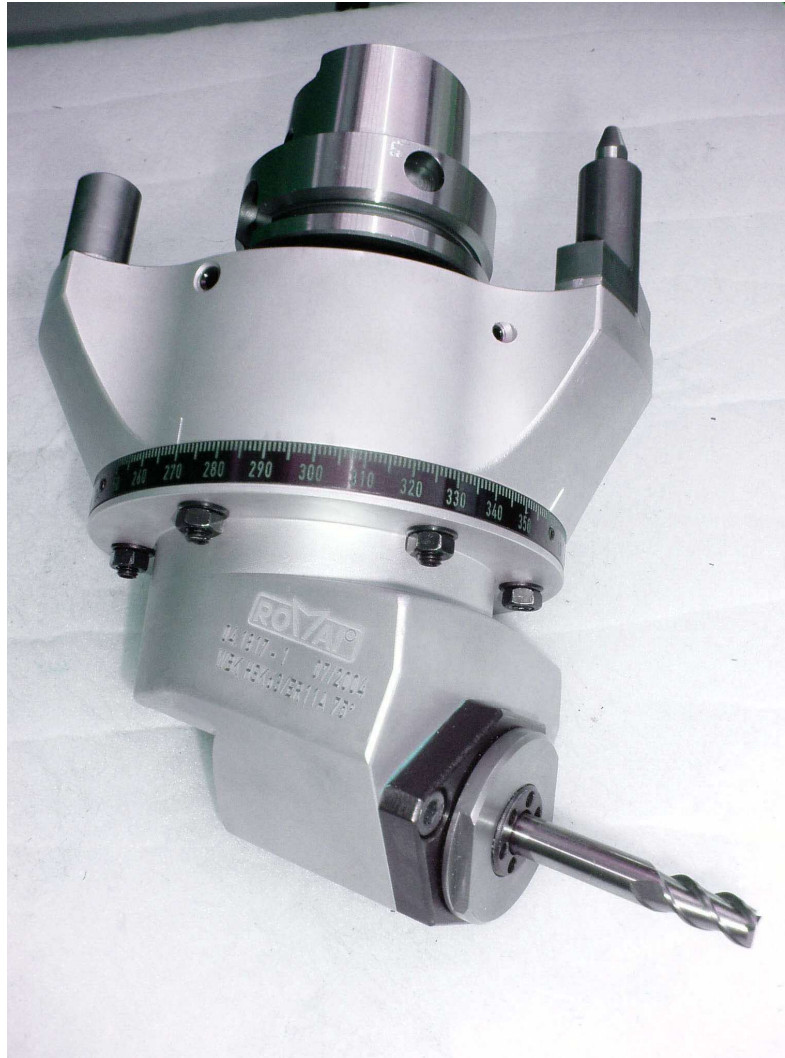
Product Overview

Machine

Connections

Industry 4.0

What We Can Do
For You



www.romai.de

Extremely back shifted!

About Us

Our Customers

Product Overview

Machine

Connections

Industry 4.0

What We Can Do
For You



W-type extremely back shifted

Drilling $\text{\O}8$ in steel with internal coolant supply

HD-slimline-spindle



www.romai.de



W30 with WFB, length: 1.6 meters

About Us

Our Customers

Product Overview

Machine

Connections

Industry 4.0

What We Can Do
For You



Type W30 with WFB50
Internal coolant supply
1.6 meters length
400Nm



www.romai.de



Turrets

About Us

Our Customers

Product Overview

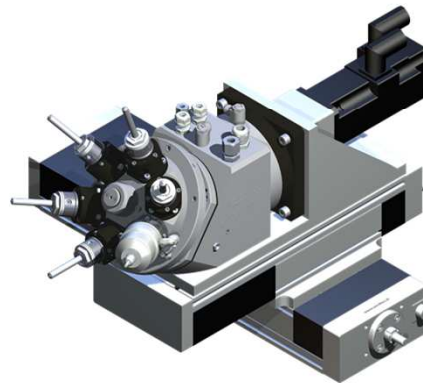
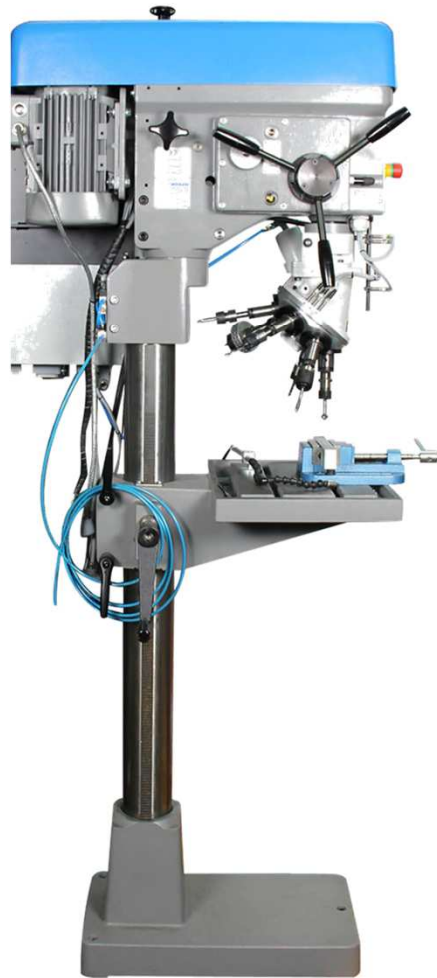
Machine

Connections

Industry 4.0

What We Can Do

For You



www.romai.de



Turret drilling machine

About Us

Our Customers

Product Overview

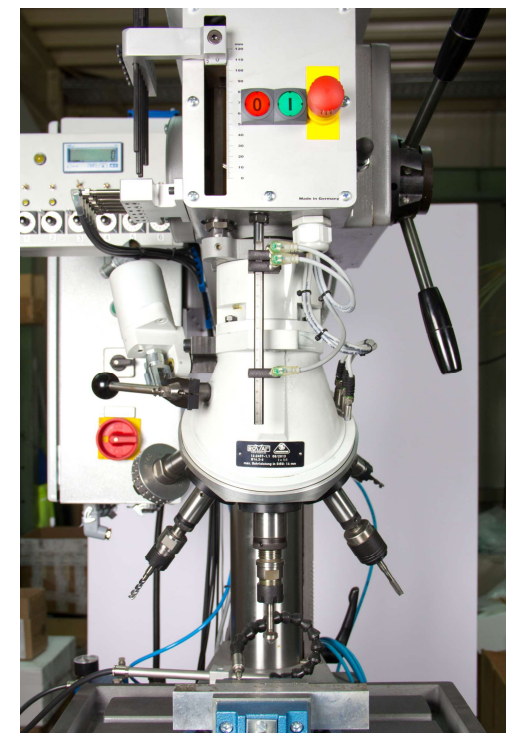
Machine

Connections

Industry 4.0

What We Can Do

For You



6-station turret, also available as a complete drilling machine with adjustable infeed per station



www.romai.de



Double turret

About Us

Our Customers

Product Overview

Machine

Connections

Industry 4.0

What We Can Do

For You



www.romai.de

Torque support

About Us

Our Customers

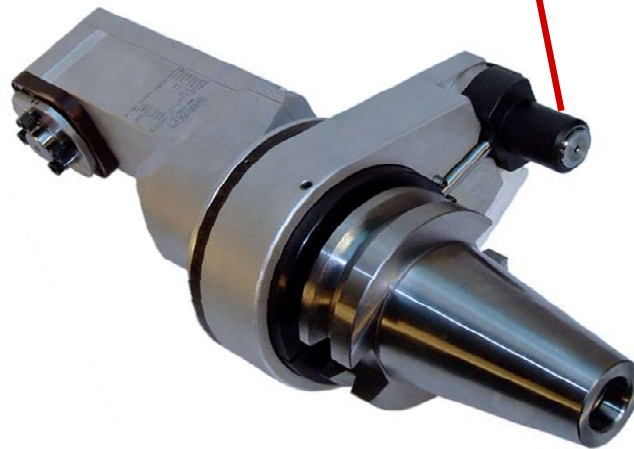
Product Overview

Machine
Connections

Industry 4.0

What We Can Do
For You

Torque support with integrated
anti-twist protection



Light to middle machining:
torque support



www.romai.de

3-point-support

About Us

Our Customers

Product Overview

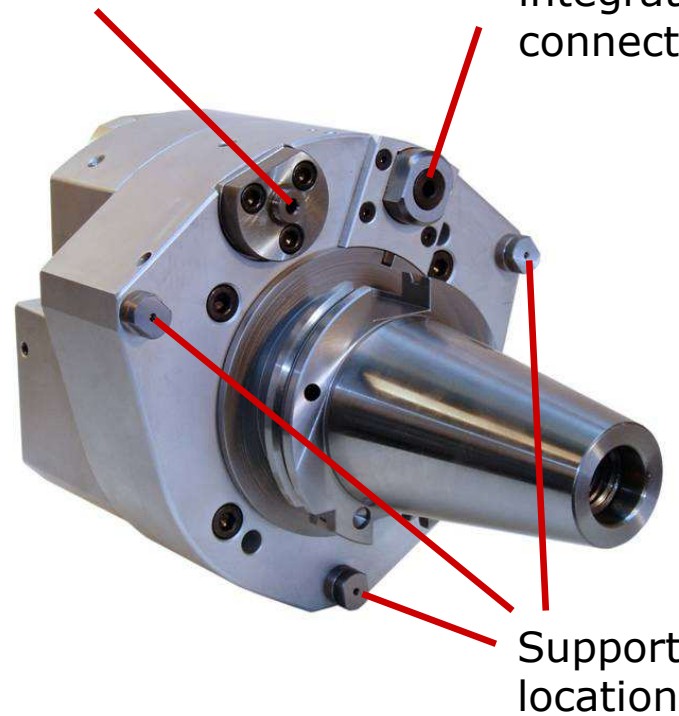
Machine
Connections

Industry 4.0

What We Can Do
For You

Torque support/
hier: positioning pin

Anti-twist protection,
in this example with
integrated coolant
connection



Middle to heavy machining:
Torque support with 3 or 4 additional support locations/pins



www.romai.de

3-point-support

About Us

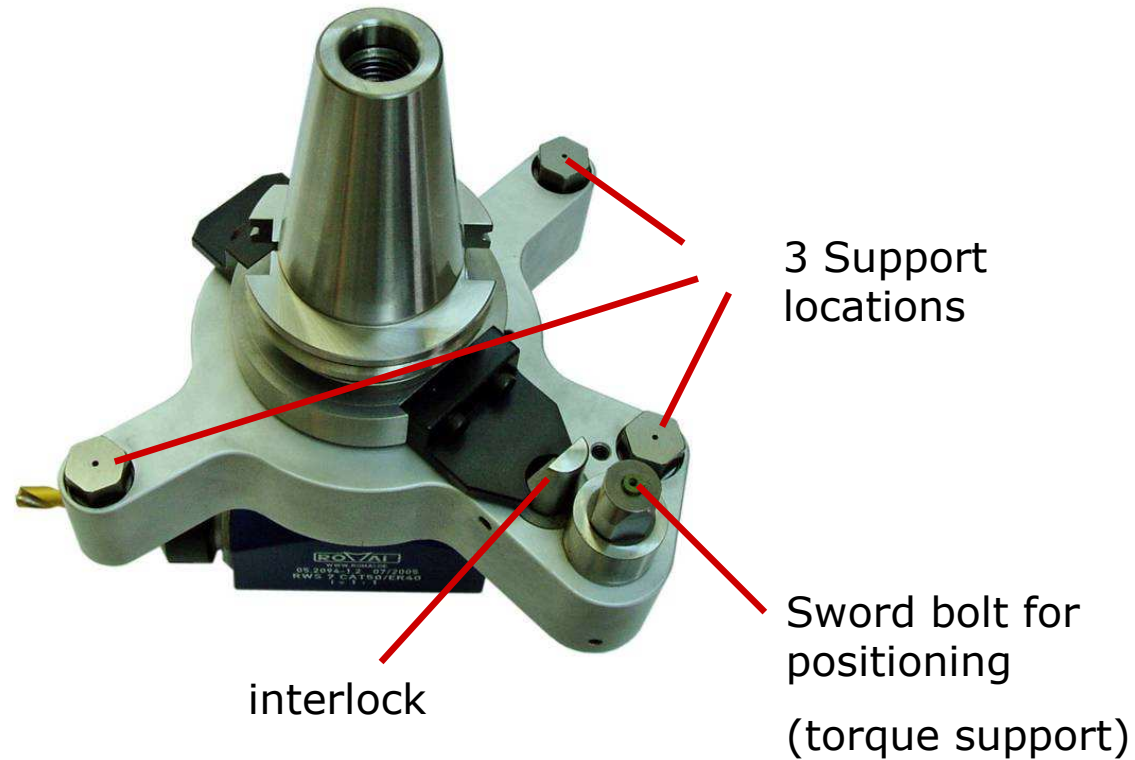
Our Customers

Product Overview

Machine
Connections

Industry 4.0

What We Can Do
For You



Middle to heavy machining:

Torque support with 3 or 4 additional support locations/pins



www.romai.de

Additional hydraulic clamping

About Us

Our Customers

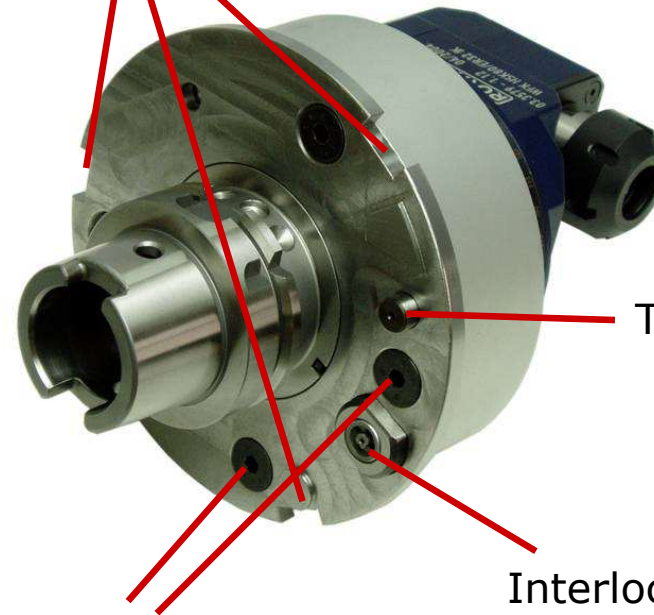
Product Overview

Machine
Connections

Industry 4.0

What We Can Do
For You

For additional clamping by
hydraulic system



Torque support

Interlock with
integrated coolant
connection

Support
locations

Very heavy machining:

Torque support with 3 respectively 4 support locations and
additional hydraulic stress



www.romai.de

Additional hydraulic clamping

About Us

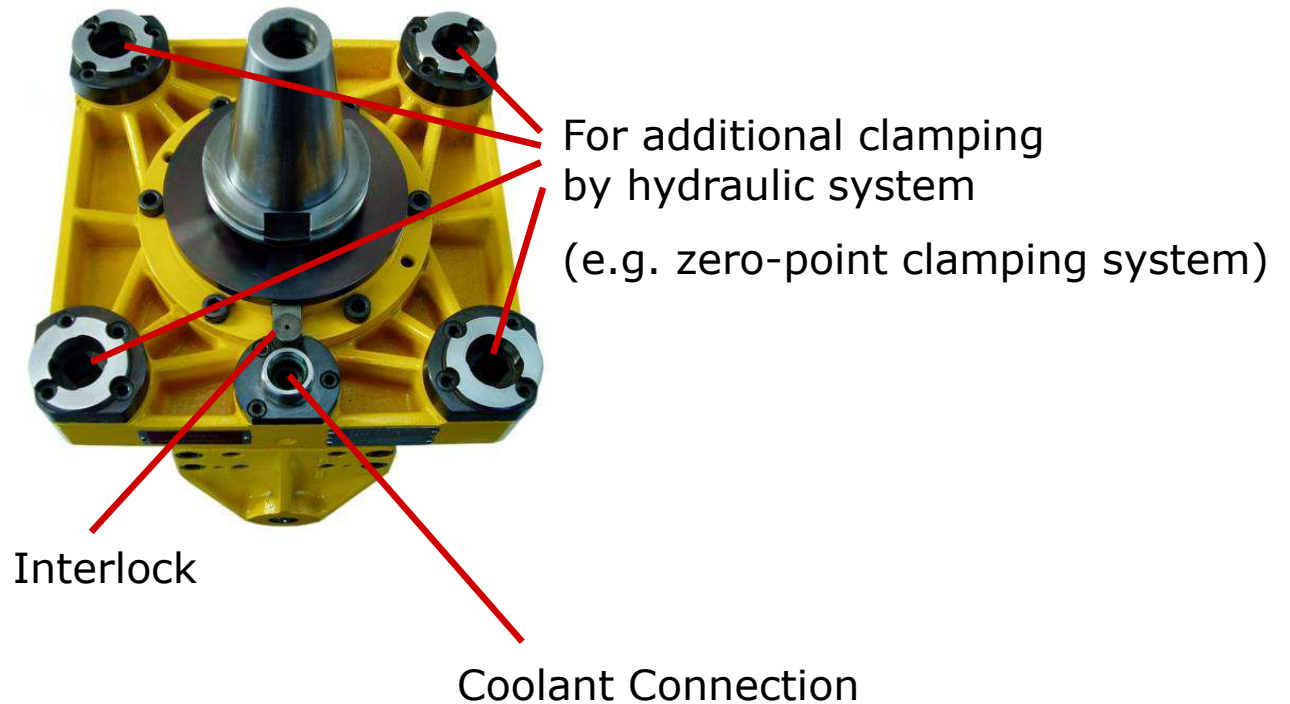
Our Customers

Product Overview

Machine
Connections

Industry 4.0

What We Can Do
For You



Very heavy machining:

Torque support with 3 respectively 4 support locations and additional hydraulic stress



www.romai.de

ROlog (ROMAI-Operation-Logger)

About Us
Our Customers
Product Overview
Machine
Connections
Industry 4.0
What We Can Do
For You



Capturing Production Data in
Real-Time Ready for Industry 4.0



www.romai.de

What can we do for you

About Us

Our Customers

Product Overview

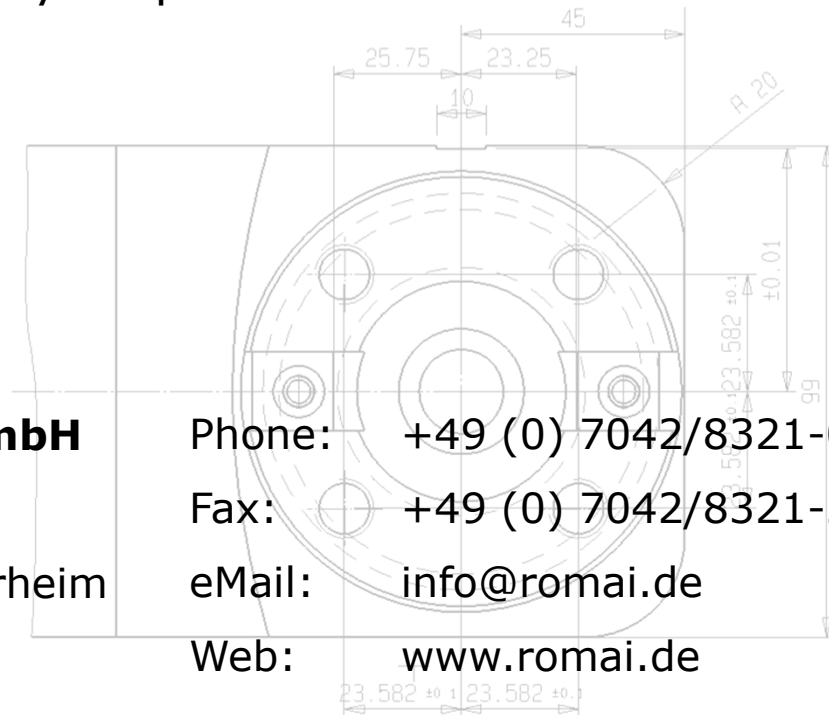
Machine

Connections

Industry 4.0

What We Can Do
For You

Our sales representatives will consult and assist you and do their best to get your production more efficiently.



ROMAI Robert Maier GmbH

Florianstrasse 22

71665 Vaihingen-Enz/Horrheim

Germany

Phone: +49 (0) 7042/8321-0

Fax: +49 (0) 7042/8321-22

eMail: info@romai.de

Web: www.romai.de



www.romai.de



About Us

Our Customers

Product Overview

Machine

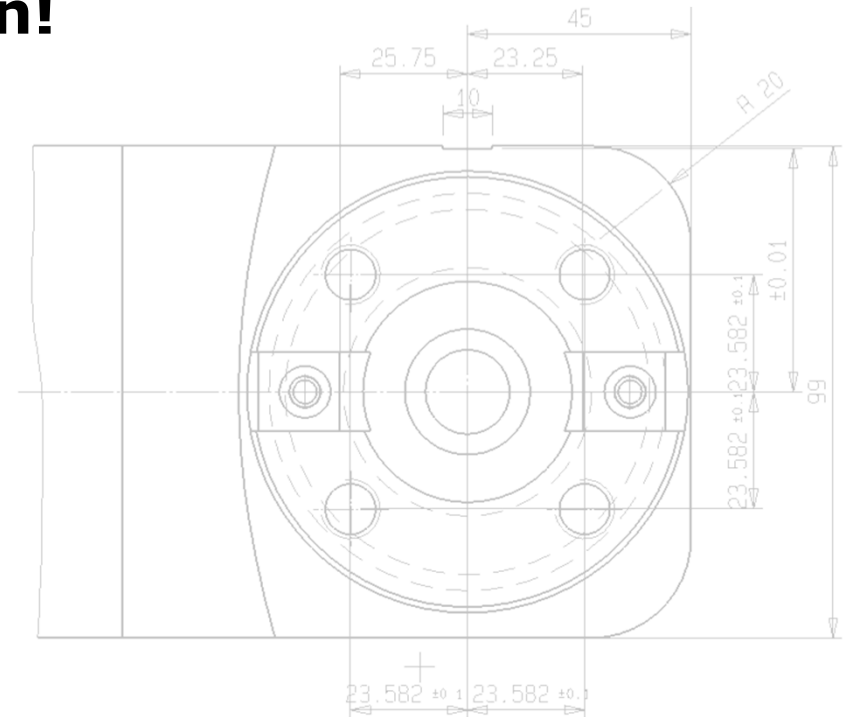
Connections

Industry 4.0

What We Can Do

For You

Thank you very much
Thank you very much
for your attention!
for your attention!



www.romai.de